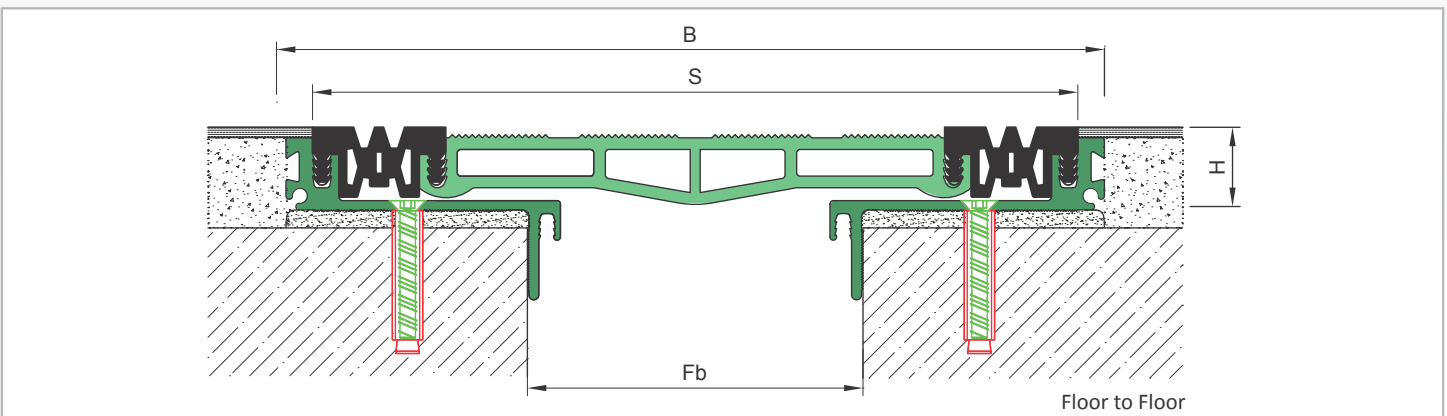
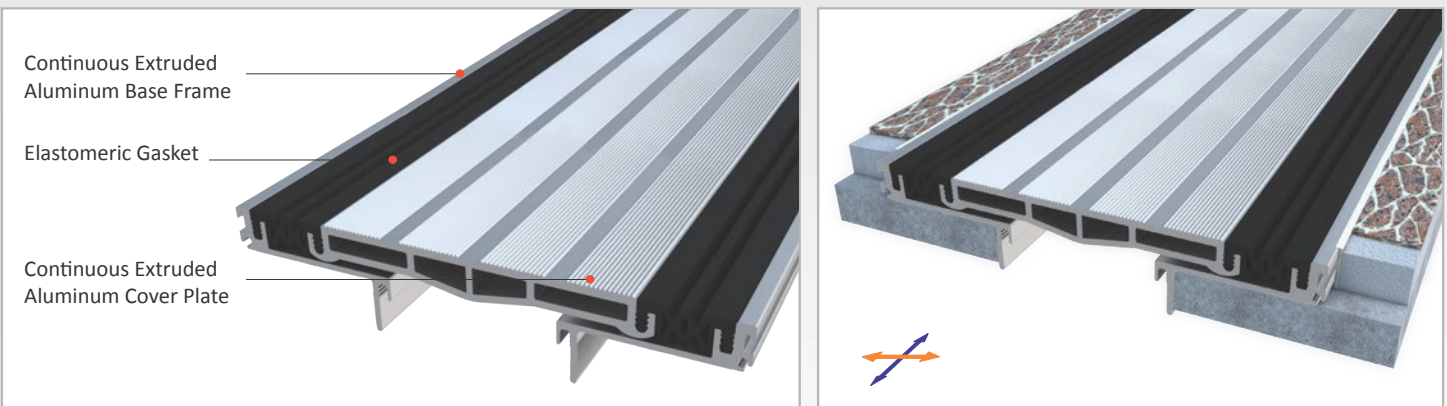


AS A238 flush mounted profile is applicable to all types of floors and load capacity is designed for forklifts and trucks. Especially recommended for places where heavy duty profile with gasket is inquired. Dual elastomeric gasket ensures high movement ability and can easily be changed without demounting the profile.





- Application Areas** : Indoor & Outdoor / Floor
- Ideal for** : Factories, Warehouses, Car Parks, Airports, Shopping Malls etc.
- Material** : Mill Finish Aluminum (Anodizing optional), EPDM Gasket
- Aluminum Alloy** : 6063 AA-USA / EN AW 6063
- Optional Supplies** : Fire Barrier, Waterproof EPDM membrane

FLOOR

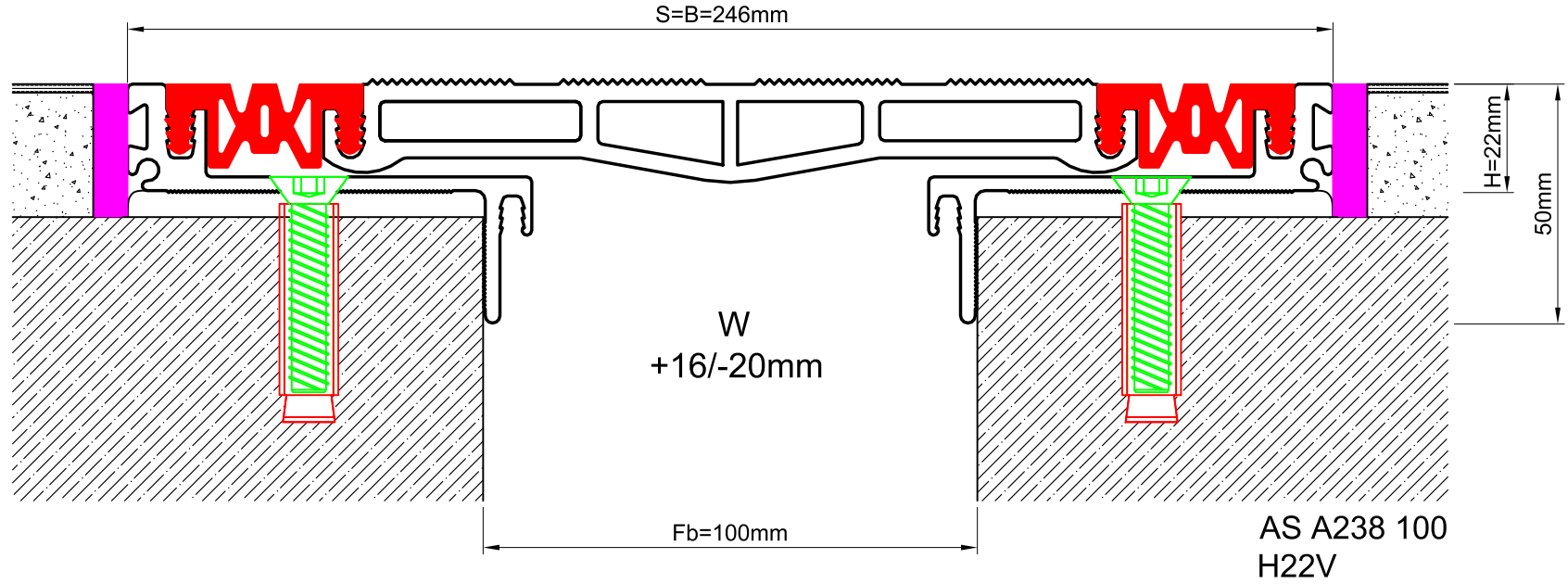



* Visuals are representative and the profile configuration may differ depending on the characteristics requested.

GASKET COLORS BLACK

LOCATION	MODEL	GAP (Fb) mm	HEIGHT (H) MM	OVERALL WIDTH (B) mm	VISIBLE WIDTH (S) mm	MOVEMENT (W) mm	LOAD CAPACITY	STANDARD LENGTH (mt)
Floor to Floor	AS A238-100	100	22	246	246	+16/-20	25 kN  600 kN 	3
	AS A238-120	120	22	266	266	30/-34	25 kN  600 kN 	3

Note: Please ask for different sizes



Profil No Profile Number	AS A238 100
Fb (mm)	100
H (mm) yaklaşık approx.	22
W± (mm) yaklaşık approx.	+16/-20
Renk Color	Alüminyum: Natürel, Filtiller: Siyah, gri, diğer Aluminum: Natural, Inserts: Black, grey, others
Malzeme Material	Alüminyum, EPDM Kauçuk (siyah) Aluminum, EPDM Rubber (black)
Standart Uzunluk (m) Standard Length (m)	3
Yükleme Kapasitesi Load - Bearing Capacity	25 kN  600 kN 